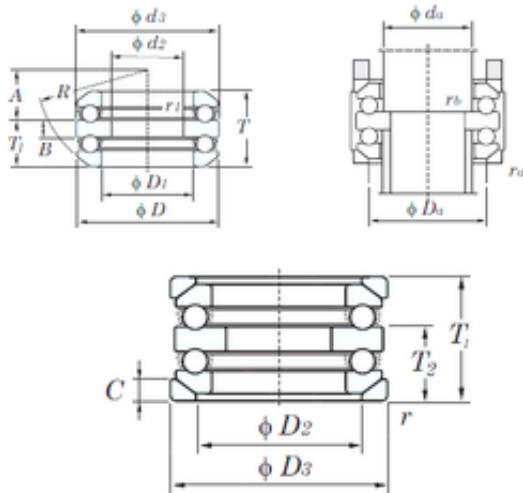




Demek Bearing Group Co., Ltd.



KOYO 54208U thrust ball bearings

Bearing No. 54208U

| | |
|-------------------------------|---------------|
| Size | 30x68x38.6 mm |
| Bore Diameter | 30 mm |
| Outer Diameter | 68 mm |
| Width | 38.6 mm |
| d2 | 30 mm |
| D | 68 mm |
| T | 38.6 mm |
| T1 | 44 mm |
| T1 | 23.8 mm |
| T2 | 26.5 mm |
| d3 | 68 mm |
| r min. | 1 mm |
| r1 min. | 0.6 mm |
| A | 25 mm |
| B | 9 mm |
| C | 7 mm |
| D1 | 42 mm |
| D2 | 55 mm |
| D3 | 72 mm |
| R | 56 mm |
| da min. | 40 mm |
| Da max. | 55 mm |
| ra max. | 1 mm |
| rb max. | 0.6 mm |
| Weight | 0.680 Kg |
| Basic dynamic load rating (C) | 46.9 kN |

54208U Bearing 2D drawings and 3D CAD models



Demek Bearing Group Co., Ltd.

| | |
|-------------------------------|------------|
| Basic static load rating (C0) | 98.3 kN |
| (Grease) Lubrication Speed | 2700 r/min |