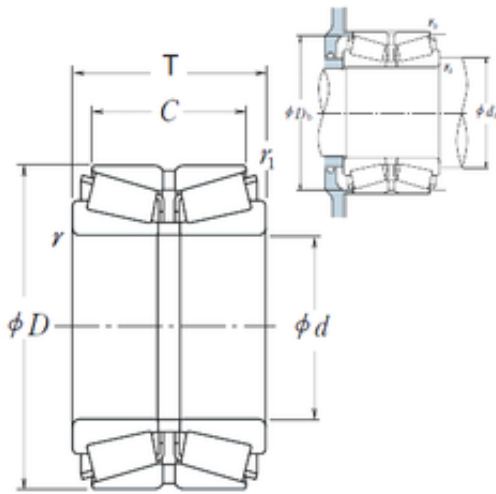




Demek Bearing Group Co., Ltd.

NSK HR110KBE42+L tapered roller bearings



Bearing No. HR110KBE42+L

HR110KBE42+L Bearing 2D drawings and 3D CAD models

Size	110x200x90 mm
Bore Diameter	110 mm
Outer Diameter	200 mm
Width	90 mm
d	110 mm
D	200 mm
T	90 mm
C	72 mm
r min.	3 mm
r1 min.	1 mm
da min.	128 mm
Db min.	190 mm
ra max.	2,5 mm
rb max.	1 mm
Weight	11,2 Kg
Basic dynamic load rating (C)	540 kN
Basic static load rating (C0)	840 kN
(Grease) Lubrication Speed	1400 r/min
(Oil) Lubrication Speed	1900 r/min
Calculation factor (e)	0,42
Calculation factor (Y0)	1,6
Calculation factor (Y2)	2,4