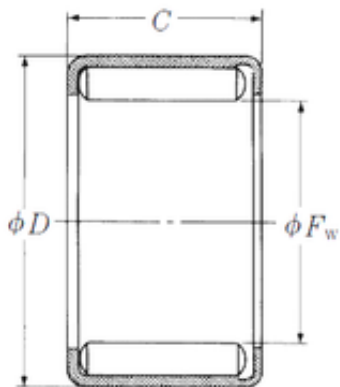




Demek Bearing Group Co., Ltd.

NSK Y-2212 needle roller bearings



Bearing No. Y-2212

Size	34.925x41.275x19.05 mm
Bore Diameter	34,925 mm
Outer Diameter	41,275 mm
Width	19,05 mm
Fw	34,925 mm
D	41,275 mm
C	19,05 mm
Weight	0,047 Kg
Basic dynamic load rating (C)	29,7 kN

Y-2212 Bearing 2D drawings and 3D CAD models