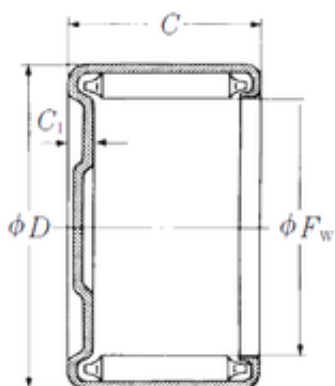




Demek Bearing Group Co., Ltd.

NSK M-1481 needle roller bearings



Bearing No. M-1481

Size	22.225x28.575x12.7 mm
Bore Diameter	22,225 mm
Outer Diameter	28,575 mm
Width	12,7 mm
Fw	22,225 mm
D	28,575 mm
C	12,7 mm
C2	2,3 mm
Weight	0,022 Kg
Basic dynamic load rating (C)	14,7 kN

M-1481 Bearing 2D drawings and 3D CAD models