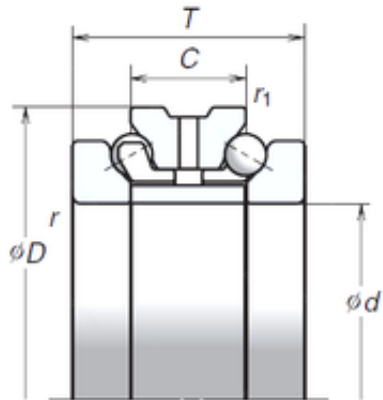




Demek Bearing Group Co., Ltd.

NSK 220TAC29D+L thrust ball bearings



Bearing No. 220TAC29D+L

Size	220x300x96 mm
Bore Diameter	220 mm
Outer Diameter	300 mm
Width	96 mm
d	220 mm
D	300 mm
T	96 mm
C	48 mm
Angle (°)	60 °
r min.	2,1 mm
r1 min.	1,1 mm
Da	287 mm
ra max.	2 mm
rb max.	1 mm
da	250 mm
Weight	17 Kg
Basic dynamic load rating (C)	210 kN
Basic static load rating (C0)	930 kN
(Grease) Lubrication Speed	1 800 r/min

220TAC29D+L Bearing 2D drawings and 3D CAD models