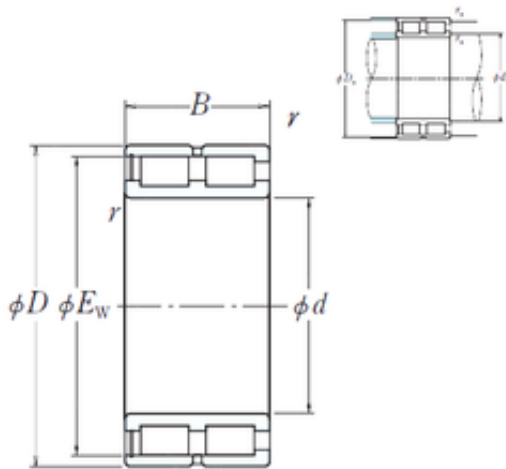




Demek Bearing Group Co., Ltd.

100 mm x 150 mm x 67 mm NSK NNCF5020V cylindrical roller bearings



Bearing No. NNCF5020V

Size	100x139.7x67 mm
Bore Diameter	100 mm
Outer Diameter	139,7 mm
Width	67 mm
d	100 mm
D	150 mm
Ew	139,7 mm
B	67 mm
C	67 mm
r min.	1,5 mm
Da	140 mm
ra max.	1,5 mm
da	111 mm
Weight	3,8 Kg
Basic dynamic load rating (C)	360 kN
Category	Bearings
Inventory	0.0
Manufacturer Name	NSK
Minimum Buy Quantity	N/A
Weight / Kilogram	3.966
Product Group	B04144

NNCF5020V Bearing 2D drawings and 3D CAD models